



TAD G80

(DE)


Mini Component System



Contents

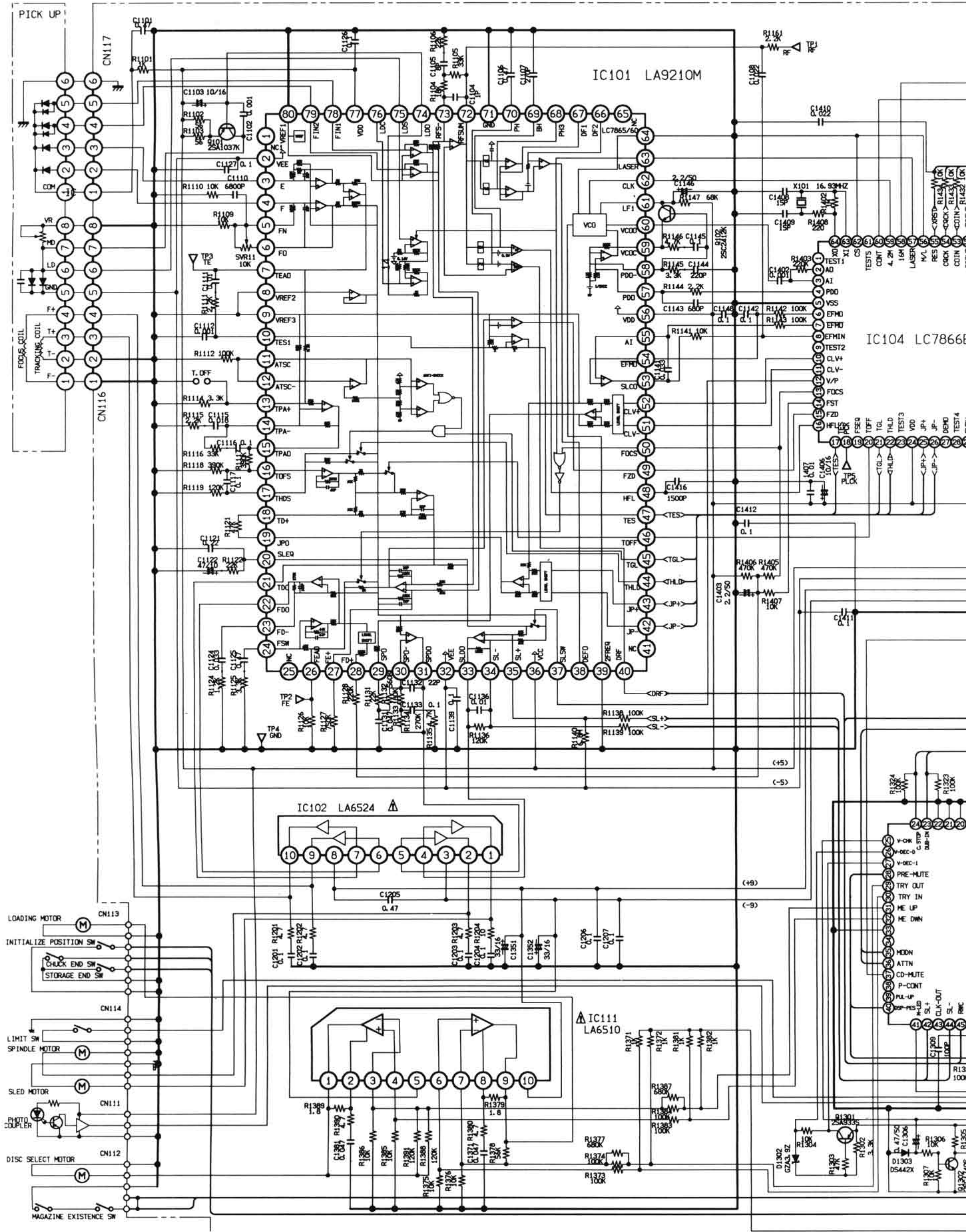
PRODUCT CODE No.
129 406 03

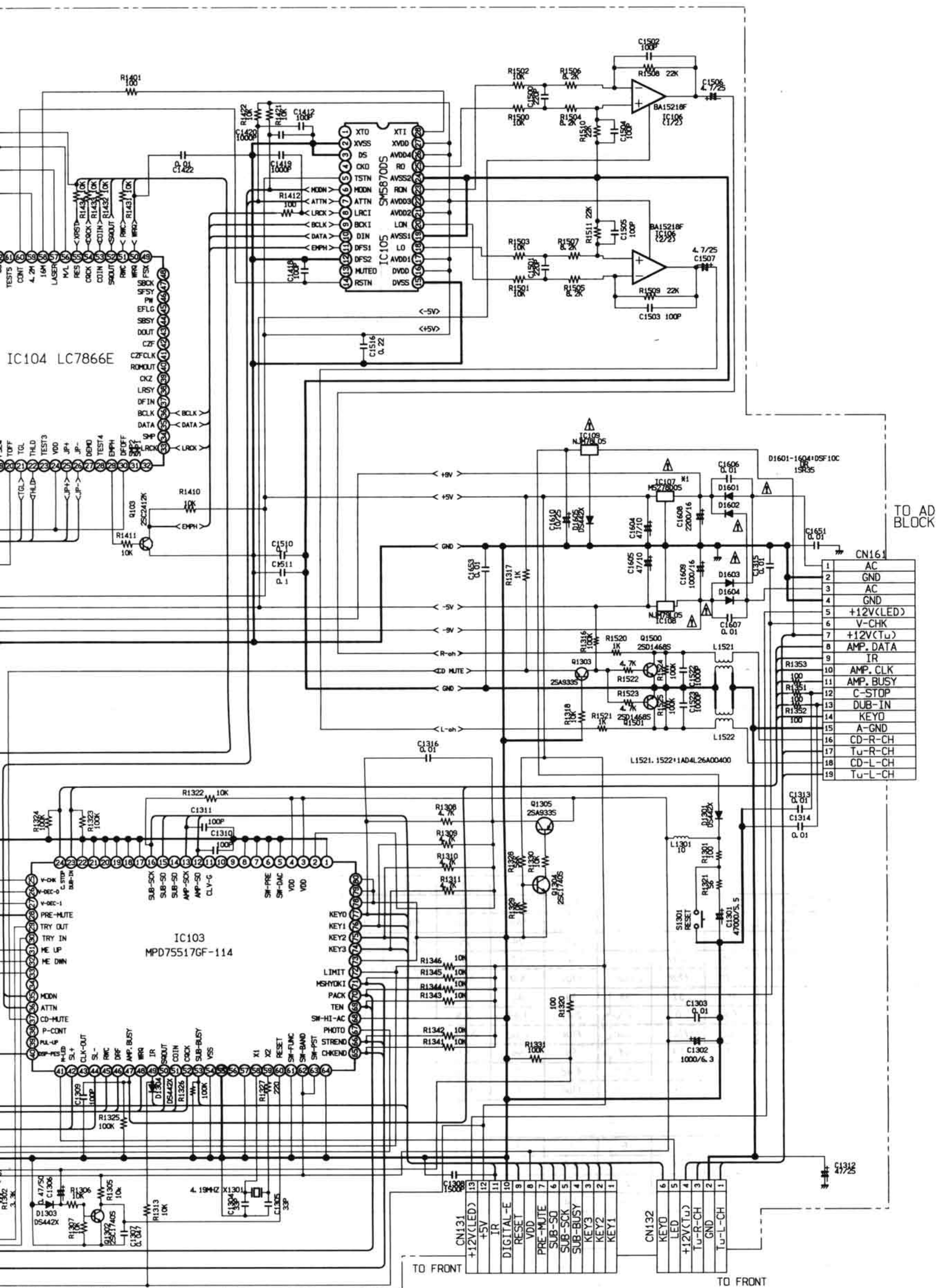
SPECIFICATION	1	SCHEMATIC DIAGRAM(FRONT)	38
SYSTEM CONNECTION	1	CONNECTION DIAGRAM	40
OPERATING THE RESET SWITCH	2	SCHEMATIC DIAGRAM(TUNER)	42
PARTS LIST(PACK & ACCESSORIES)	2	WIRING DIAGRAM(TUNER & FRONT)	44
PARTS LIST(REMOCON)	2		
		TAPE DECK / AMPLIFIER UNIT	
CD CHANGER / TUNER UNIT		DECK ADJUSTMENT	47
TUNER ADJUSTMENT	3	PARTS LIST	49
LASER BEAM SAFETY PRECAUTION	4	EXPLODED VIEW(CABINET & CHASSIS)	54
DISASSEMBLY	5	EXPLODED VIEW(TAPE MECHANISM)	56
CD MECHANISM REPLACEMENT	6	PARTS LIST(TAPE MECHANISM)	57
CD MECHANISM OPERATION EXPLANATION	8	IC BLOCK DIAGRAM	58
CD SERVICE MODE	12	LCD BLOCK DIAGRAM	63
CD ADJUSTMENT	15	CONNECTION DIAGRAM	64
EXPLODED VIEW(CABINET & CHASSIS)	17	SCHEMATIC DIAGRAM(TAPE DECK AMP)	66
PARTS LIST	18	WIRING DIAGRAM(TAPE DECK AMP)	68
EXPLODED VIEW(CD LOADING MECHANISM) ..	21	SCHEMATIC DIAGRAM(PRE-AMP)	70
PARTS LIST(CD LOADING MECHANISM)	22	WIRING DIAGRAM(PRE-AMP & FRONT)	72
EXPLODED VIEW & PARTS LIST		SCHEMATIC DIAGRAM(SYSCON & MAIN AMP) ..	74
(CD PICKUP MECHANISM)	23	WIRING DIAGRAM(SYSCON & MAIN AMP)	76
EXPLODED VIEW & PARTS LIST(MAGAZINE) ..	24	SCHEMATIC DIAGRAM(FRONT)	78
IC BLOCK DIAGRAM	25	SCHEMATIC DIAGRAM(TAPE MECHANISM)	79
LCD BLOCK DIAGRAM	31		
CD VOLTAGE TABLE	32		
SCHEMATIC DIAGRAM(CD)	34		
WIRING DIAGRAM(CD)	36		

"Dolby" and the double-D symbol  are trademark of Dolby Laboratories Licensing Corporation. Dolby Noise Reduction system is manufactured under license from Dolby Laboratories Licensing Corporation.

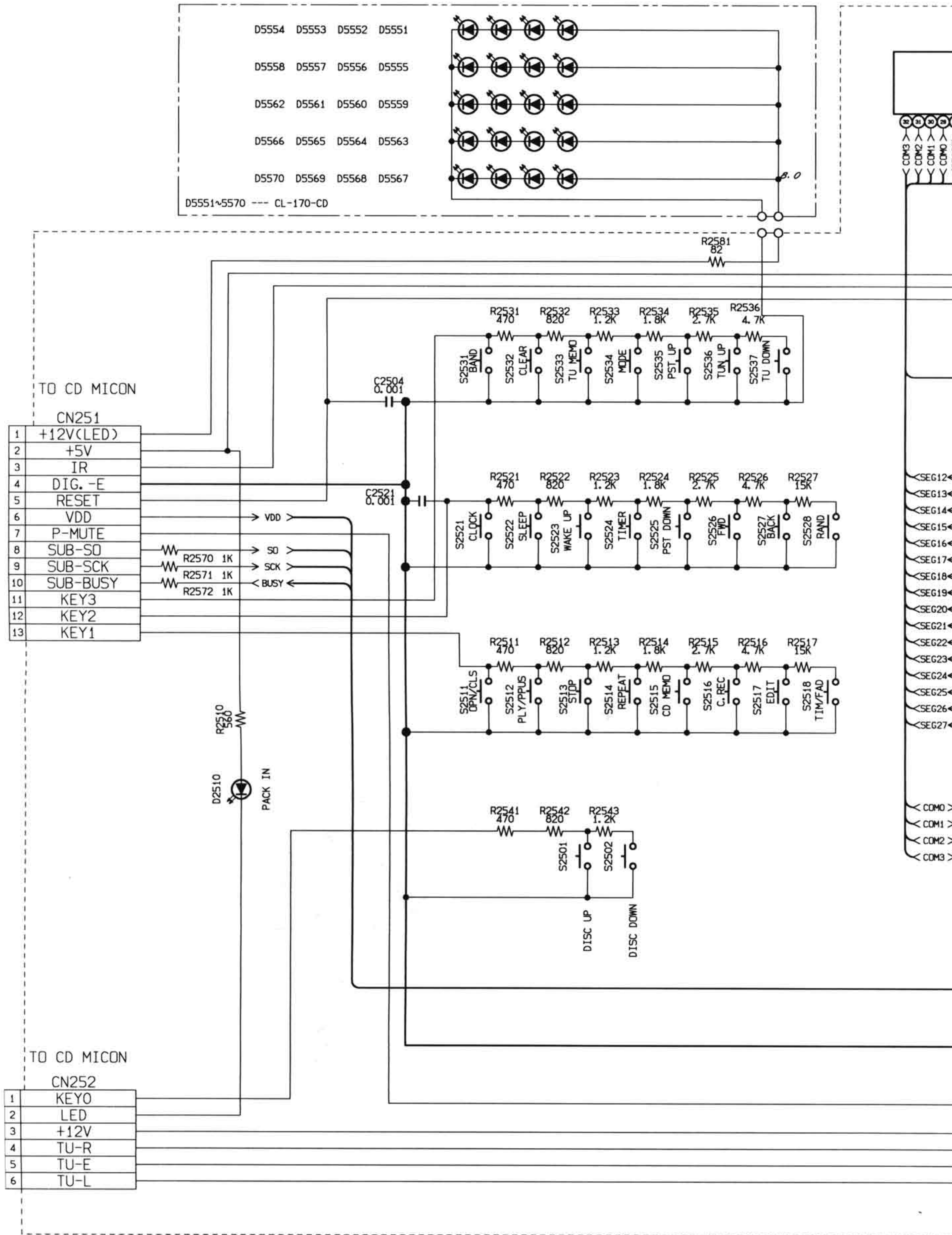
This Service manual is consist of "REM M50", "TUC G80", "CAC G80".

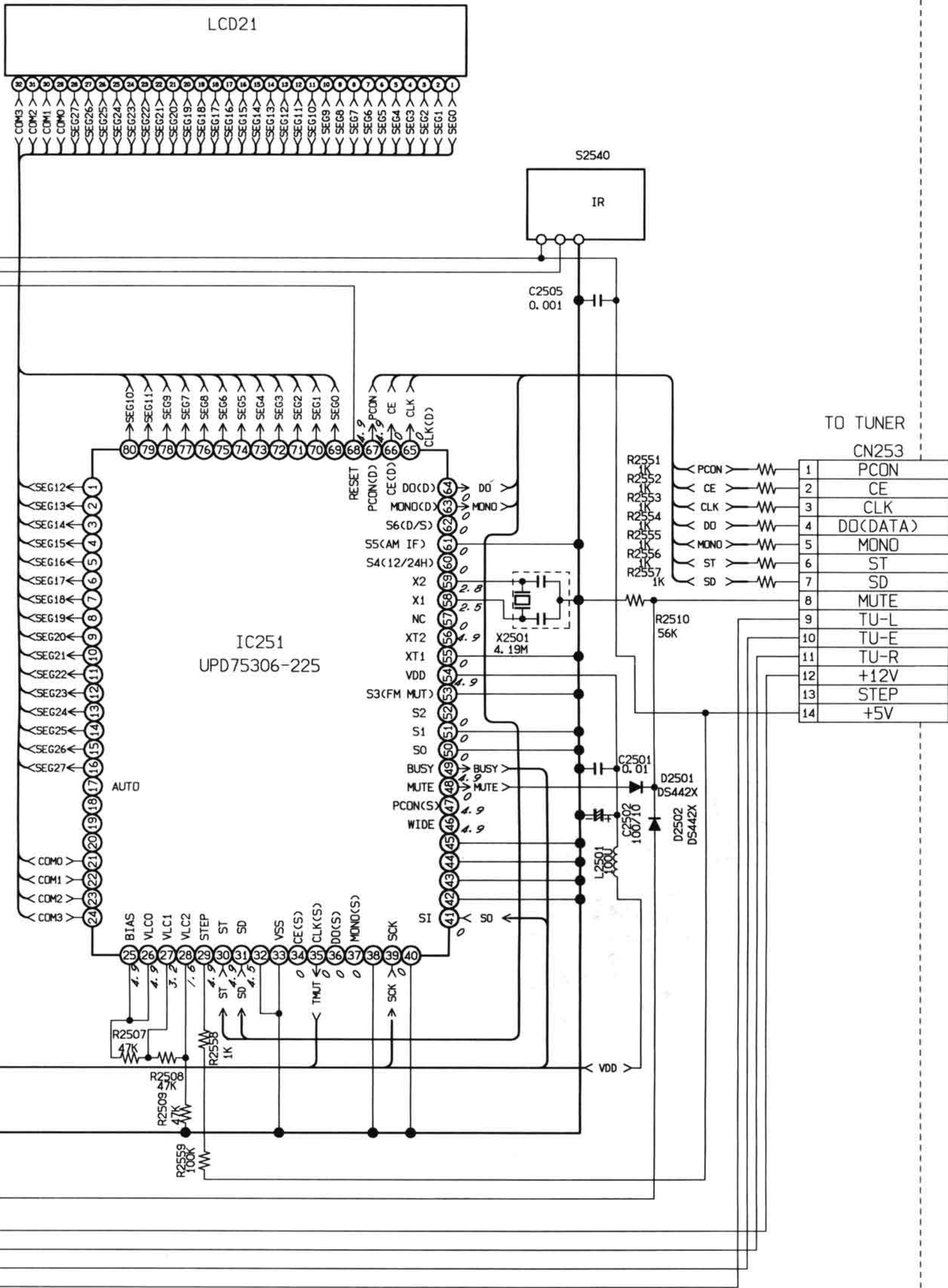
SCHEMATIC DIAGRAM (CD)



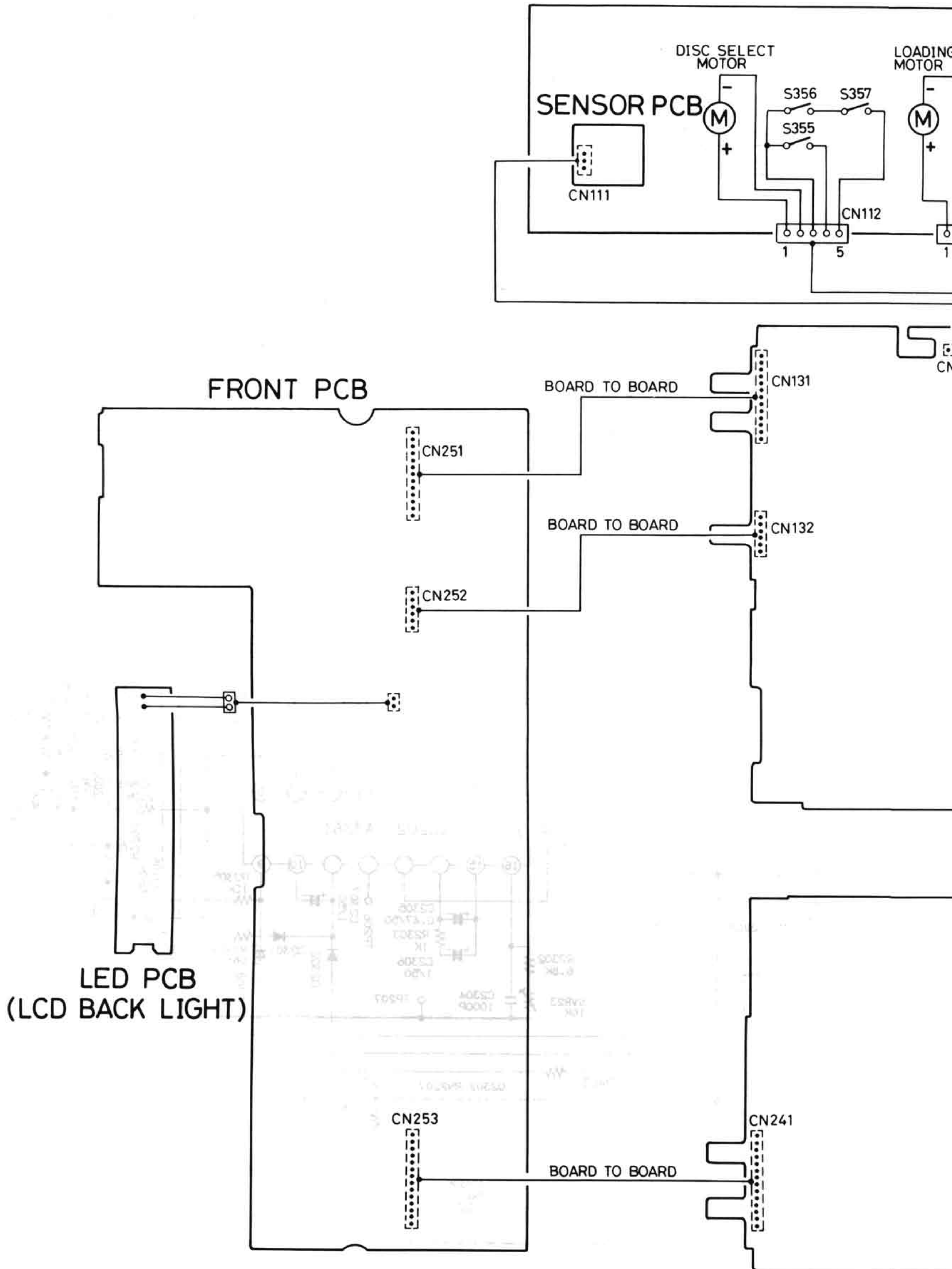


SCHEMATIC DIAGRAM (FRONT)

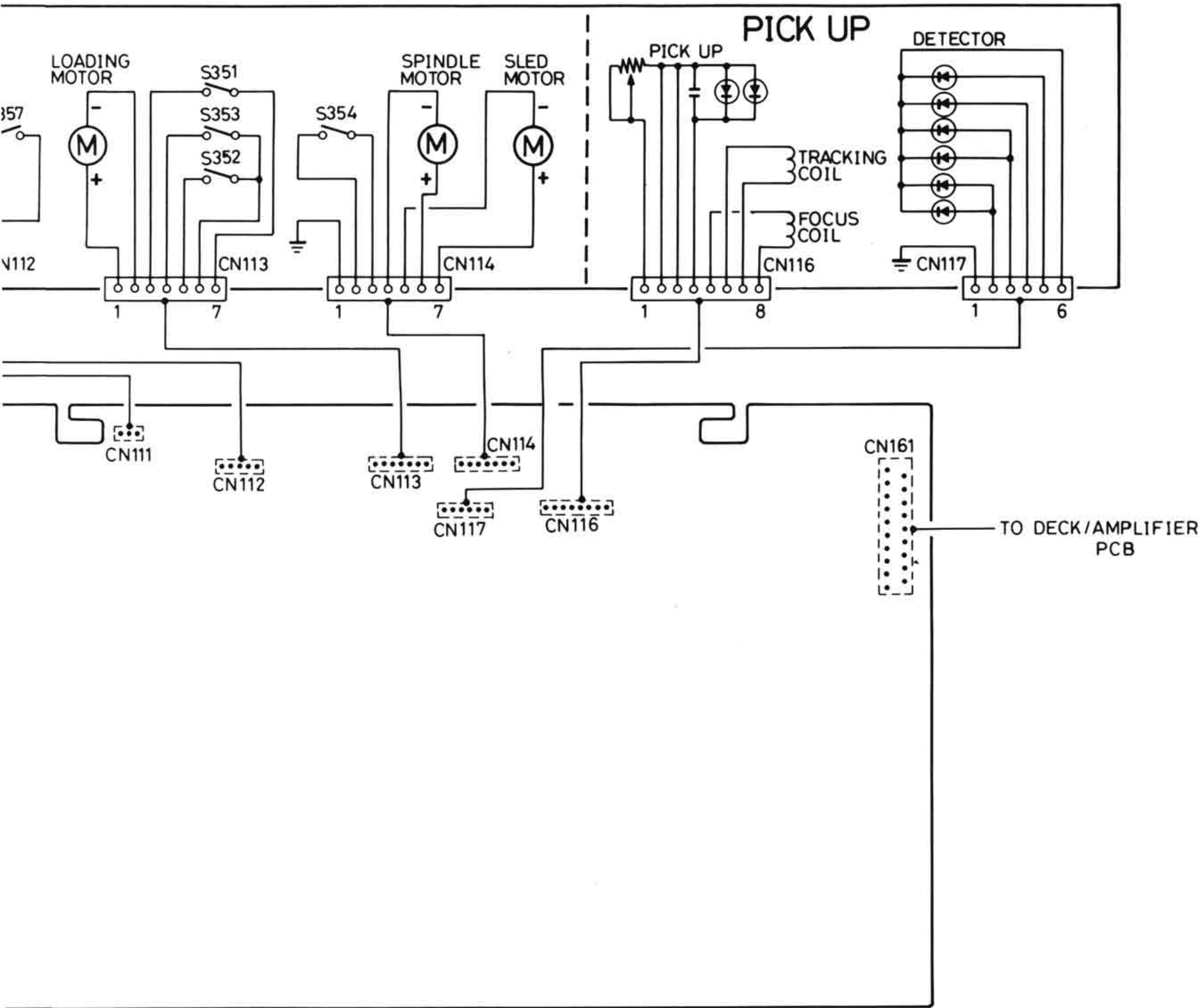




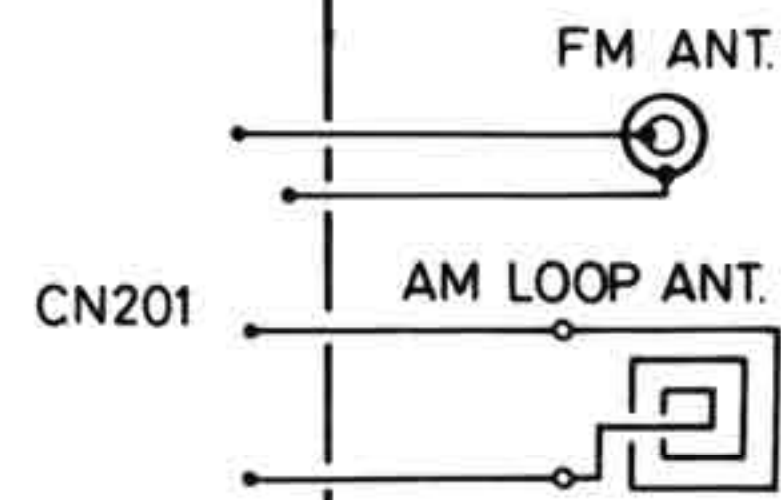
WIRING CONNECTION (TUNER / CD UNIT)



MECHANISM

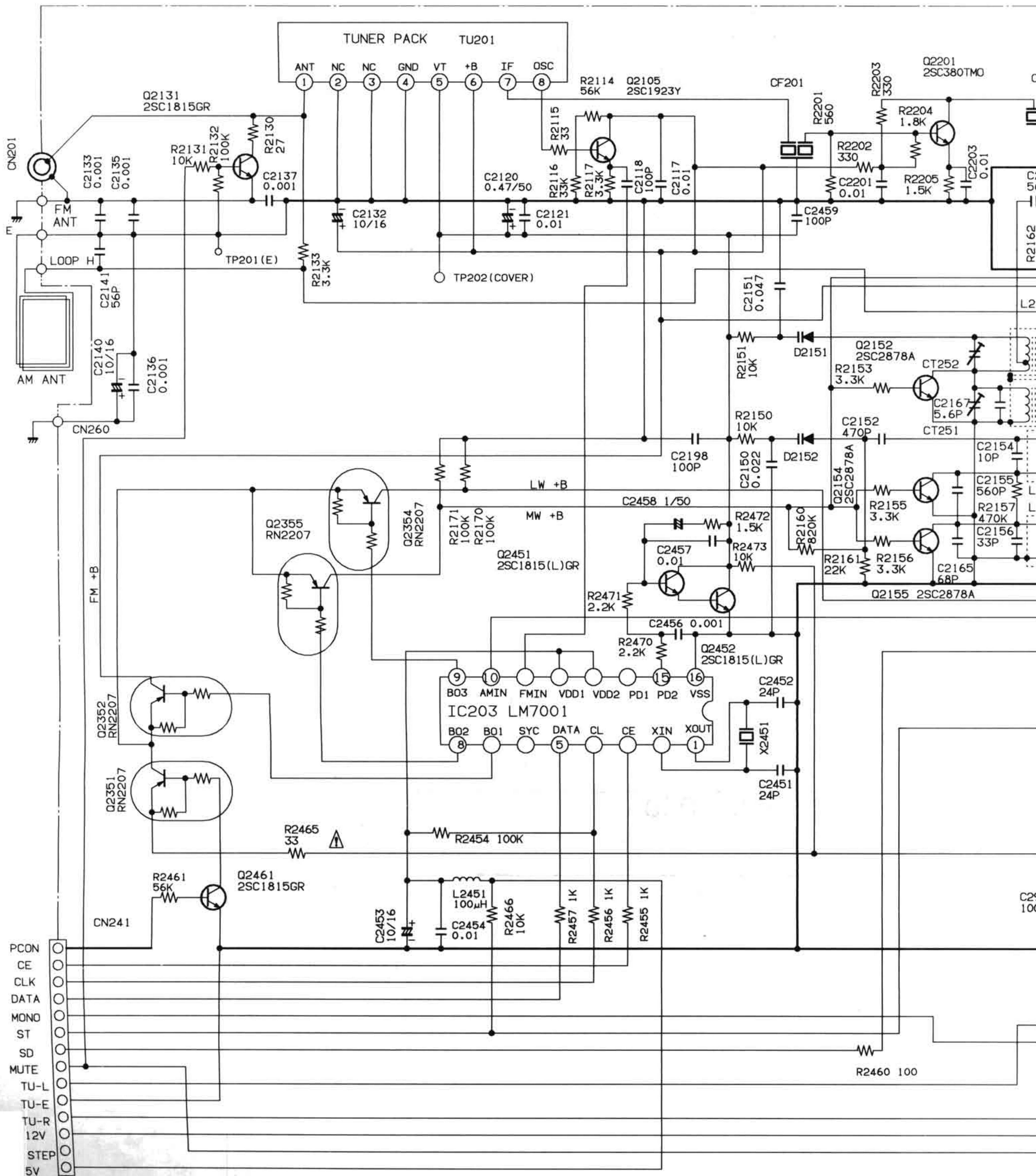


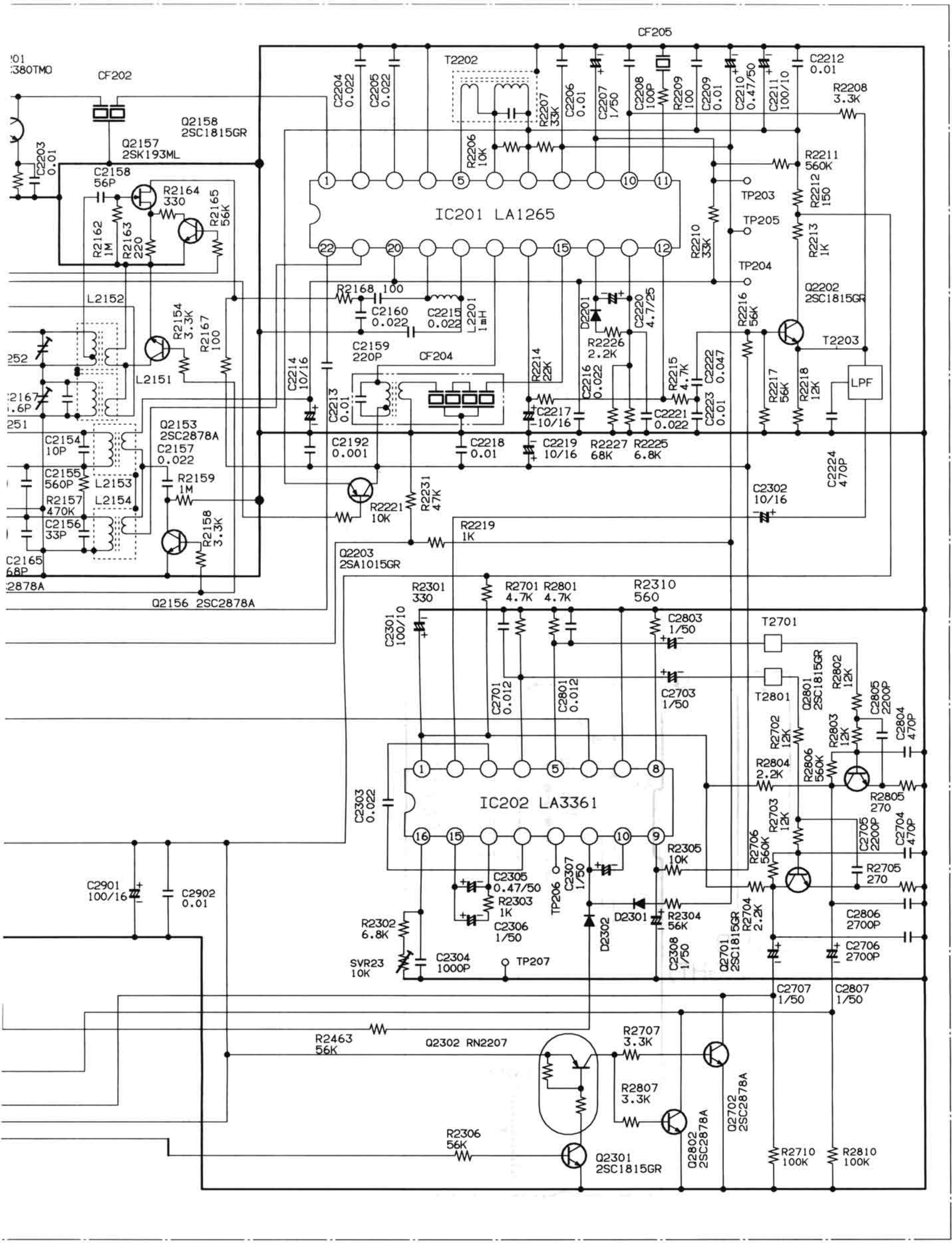
CD MICON PCB



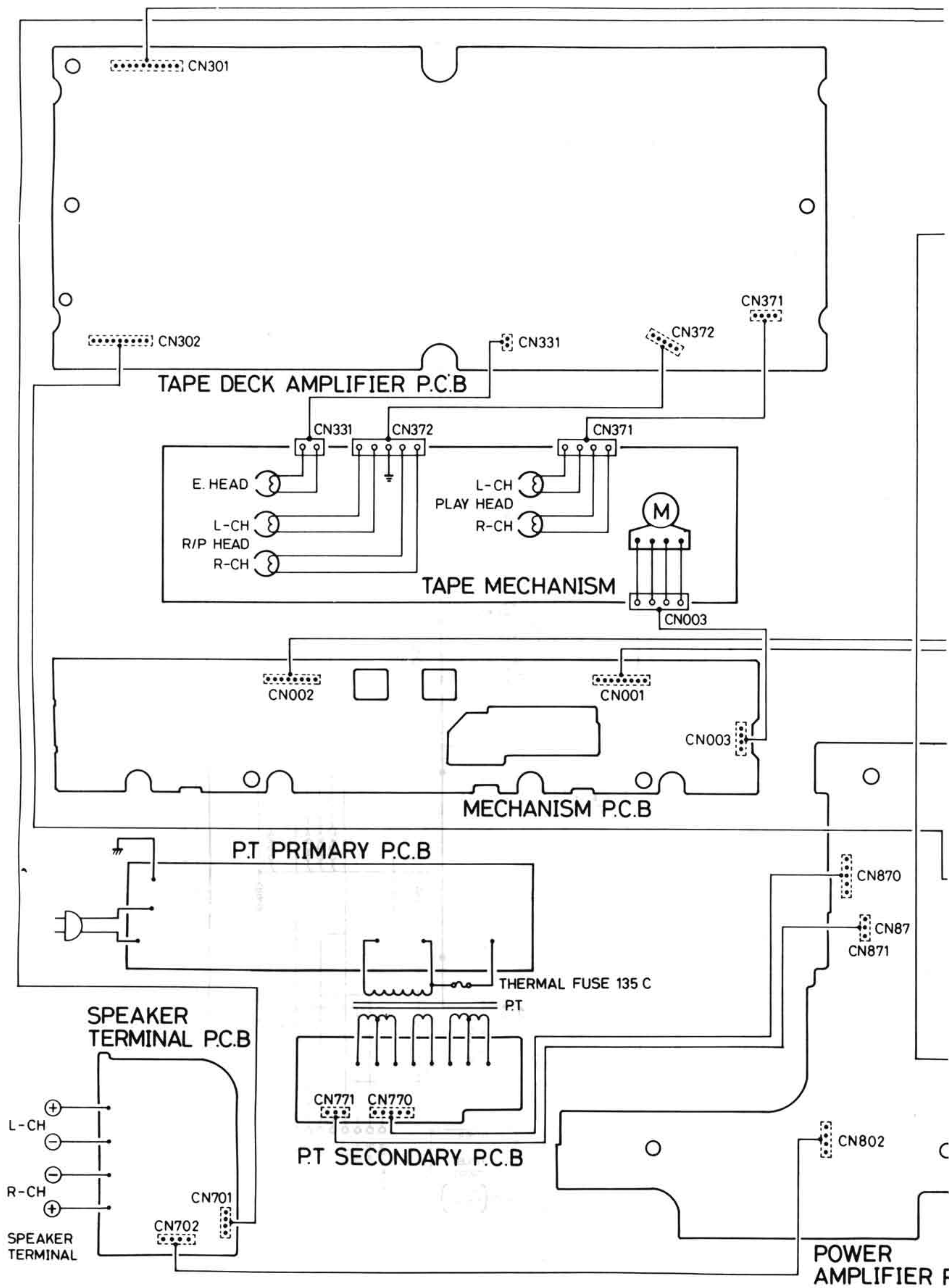
TUNER PCB

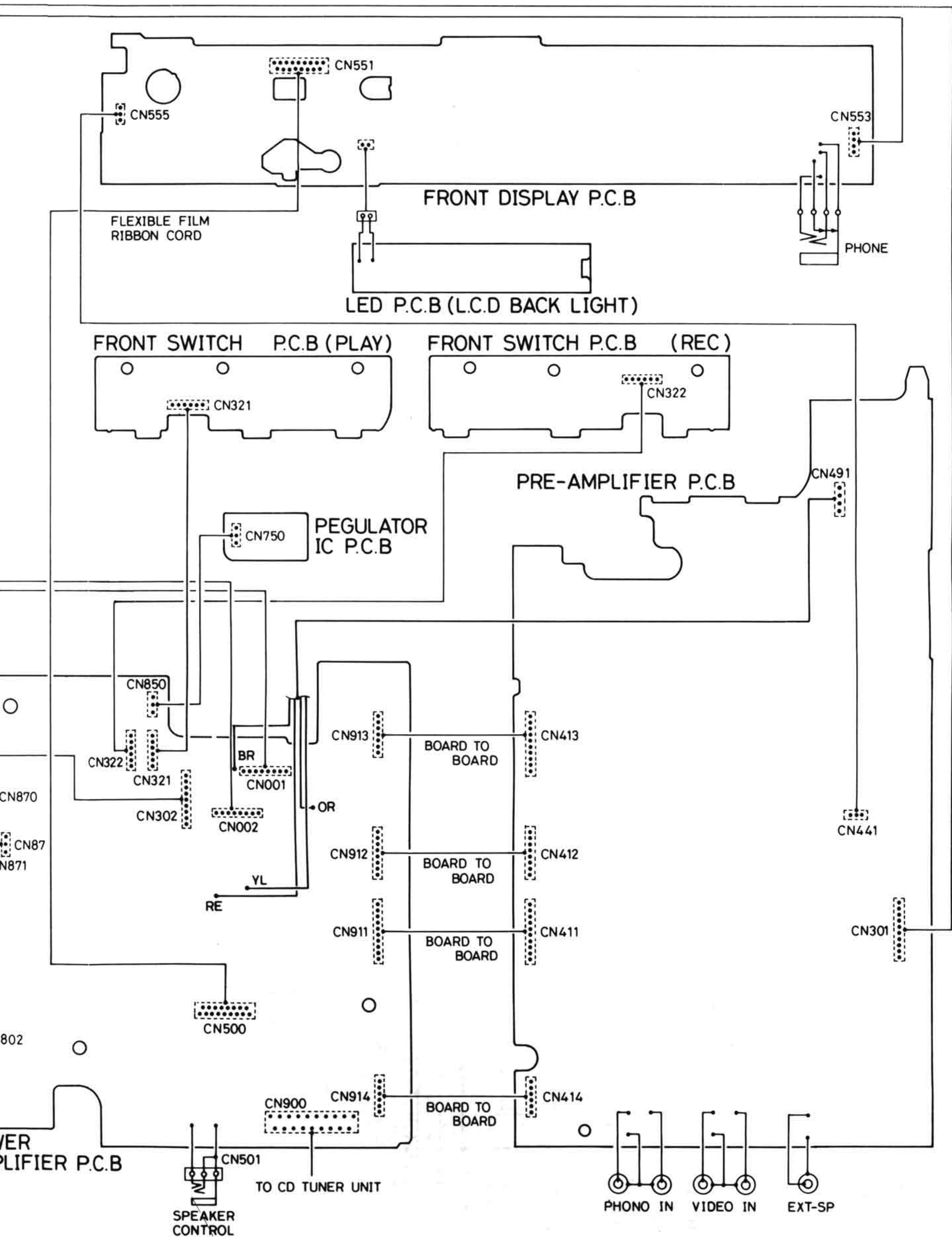
SCHEMATIC DIAGRAM (TUNER)





WIRING CONNECTION (TAPE DECK / AMPLIFIER UNIT)





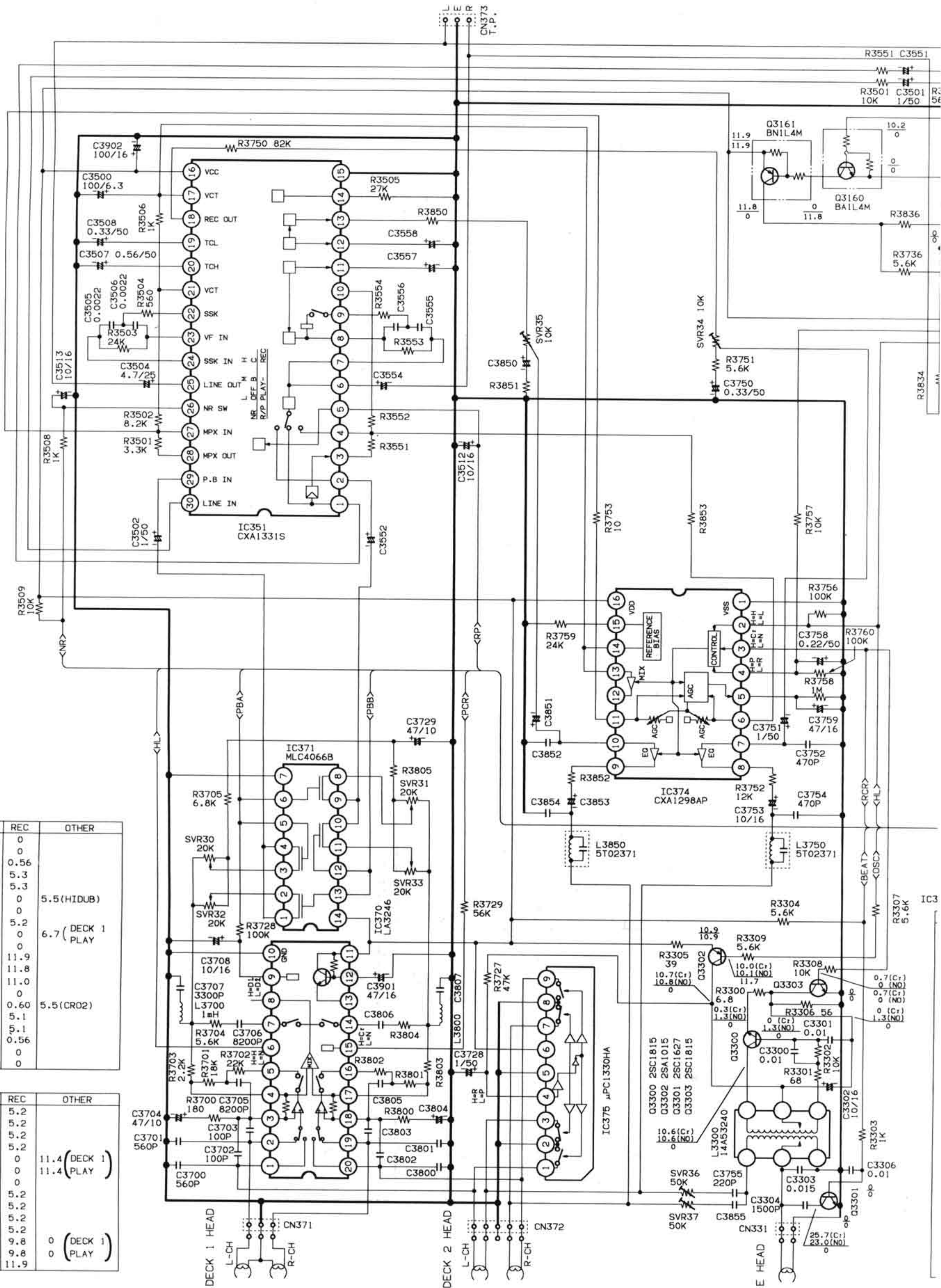
SCHEMATIC DIAGRAM (TAPE DECK AMPLIFIER)

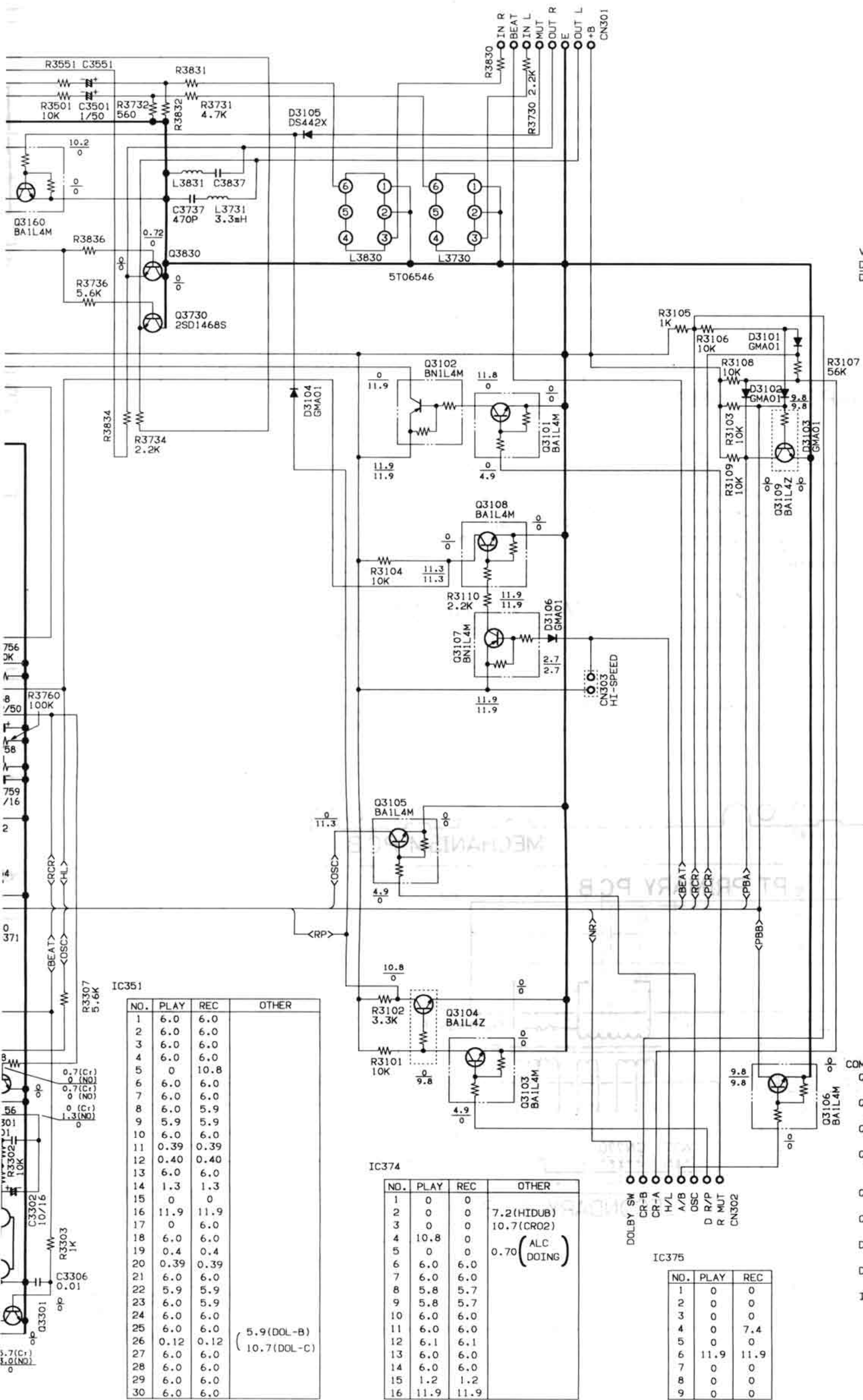
IC370

NO.	PLAY	REC	OTHER
1	0	0	
2	0	0	
3	0.58	0.56	
4	5.3	5.3	
5	5.3	5.3	
6	0	0	5.5 (HIDUB)
7	0	0	
8	5.2	5.2	6.7 (DECK 1 PLAY)
9	0	0	
10	0	0	
11	11.9	11.9	
12	11.8	11.8	
13	11.0	11.0	
14	0	0	
15	0.60	0.60	5.5 (CRO2)
16	5.1	5.1	
17	5.1	5.1	
18	0.56	0.56	
19	0	0	
20	0	0	

IC371

NO.	PLAY	REC	OTHER
1	5.2	5.2	
2	5.2	5.2	
3	5.2	5.2	
4	5.2	5.2	
5	0	0	11.4 (DECK 1 PLAY)
6	0	0	
7	0	0	
8	5.2	5.2	
9	5.2	5.2	
10	5.2	5.2	
11	5.2	5.2	
12	9.8	9.8	
13	9.8	9.8	
14	11.9	11.9	0 (DECK 1 PLAY)





VOLTAGE (V)
DECK 2 REC
DECK 2 PLAY

IC351

NO.	PLAY	REC	OTHER
1	6.0	6.0	
2	6.0	6.0	
3	6.0	6.0	
4	6.0	6.0	
5	0	10.8	
6	6.0	6.0	
7	6.0	6.0	
8	6.0	5.9	
9	5.9	5.9	
10	6.0	6.0	
11	0.39	0.39	
12	0.40	0.40	
13	6.0	6.0	
14	1.3	1.3	
15	0	0	
16	11.9	11.9	
17	0	6.0	
18	6.0	6.0	
19	0.4	0.4	
20	0.39	0.39	
21	6.0	6.0	
22	5.9	5.9	
23	6.0	5.9	
24	6.0	6.0	
25	6.0	6.0	
26	0.12	0.12	
27	6.0	6.0	
28	6.0	6.0	
29	6.0	6.0	
30	6.0	6.0	

(5.9 (DOL-B)
10.7 (DOL-C)

IC374

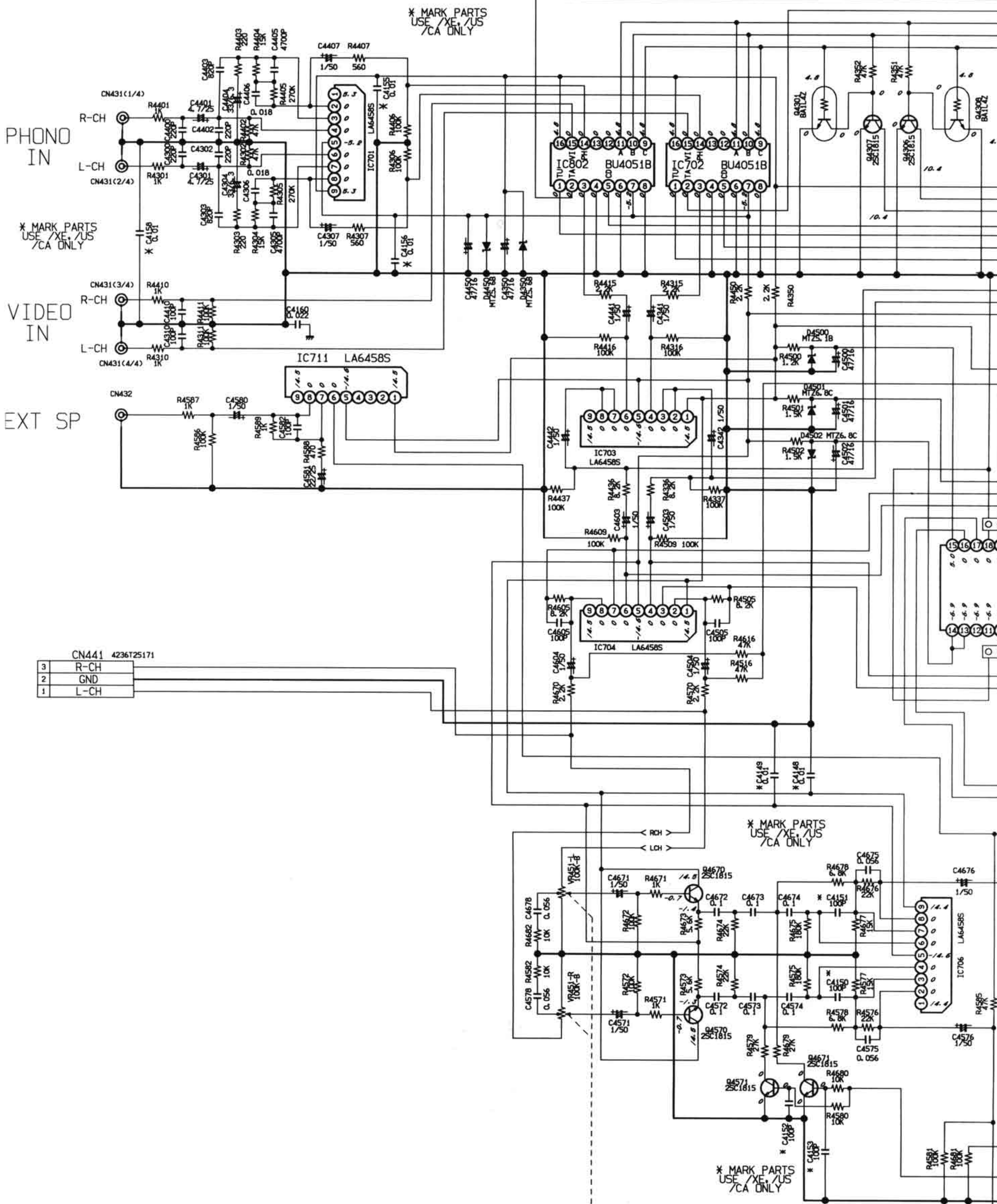
NO.	PLAY	REC	OTHER
1	0	0	
2	0	0	7.2 (HIDUB)
3	0	0	10.7 (CRO2)
4	10.8	0	
5	0	0	0.70 (ALC DOING)
6	6.0	6.0	
7	6.0	6.0	
8	5.8	5.7	
9	5.8	5.7	
10	6.0	6.0	
11	6.0	6.0	
12	6.1	6.1	
13	6.0	6.0	
14	6.0	6.0	
15	1.2	1.2	
16	11.9	11.9	

IC375

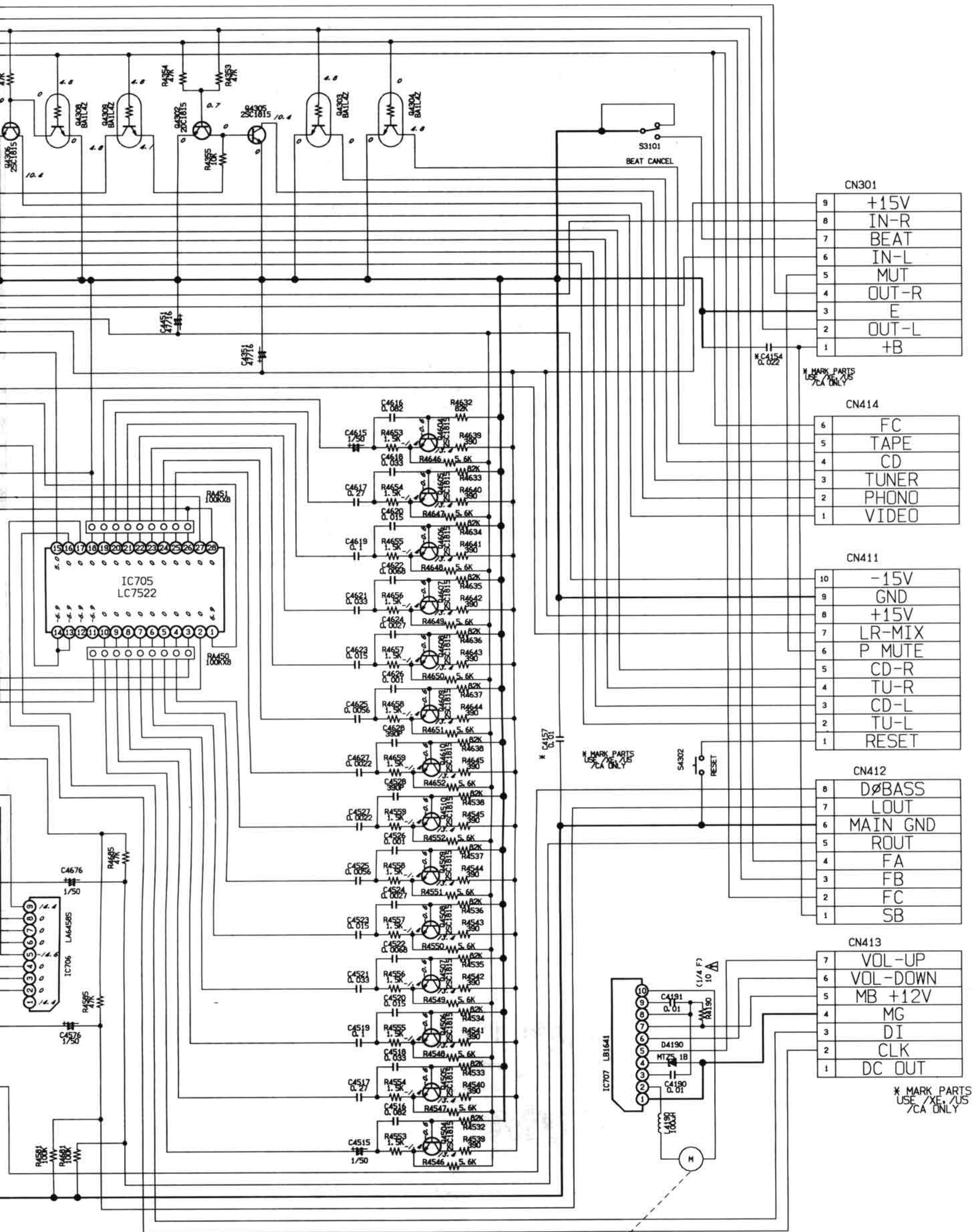
NO.	PLAY	REC
1	0	0
2	0	0
3	0	0
4	0	7.4
5	0	0
6	11.9	11.9
7	0	0
8	0	0
9	0	0

- COMMON USE
- Q3300 2SC1815 r 2SC945
 - Q3303 2SC1815 r 2SC945 r 2SC1740S
 - Q3302 2SA1015 r 2SA733
 - Q3101 3103 3105 3106 3108 3160
 - DTC144ES r RN1204 r BA1L4M
 - Q3102 3107 3161
 - DTA144ES r RN2204 r BN1L4M
 - Q3104 3109
 - DTC144TS r BA1L4Z
 - D3101 3102 3103 3104 3105
 - GMA01 r 1SS133
 - D3105 DS442X r 1S2473
 - IC371 MLC4066B r TC4066BP r BU4066B r PD4066BC

SCHEMATIC DIAGRAM (PRE-AMPLIFIER)



CN441 4236T25171	
3	R-CH
2	GND
1	L-CH



CN301

9	+15V
8	IN-R
7	BEAT
6	IN-L
5	MUT
4	OUT-R
3	E
2	OUT-L
1	+B

CN414

6	FC
5	TAPE
4	CD
3	TUNER
2	PHONO
1	VIDEO

CN411

10	-15V
9	GND
8	+15V
7	LR-MIX
6	P MUTE
5	CD-R
4	TU-R
3	CD-L
2	TU-L
1	RESET

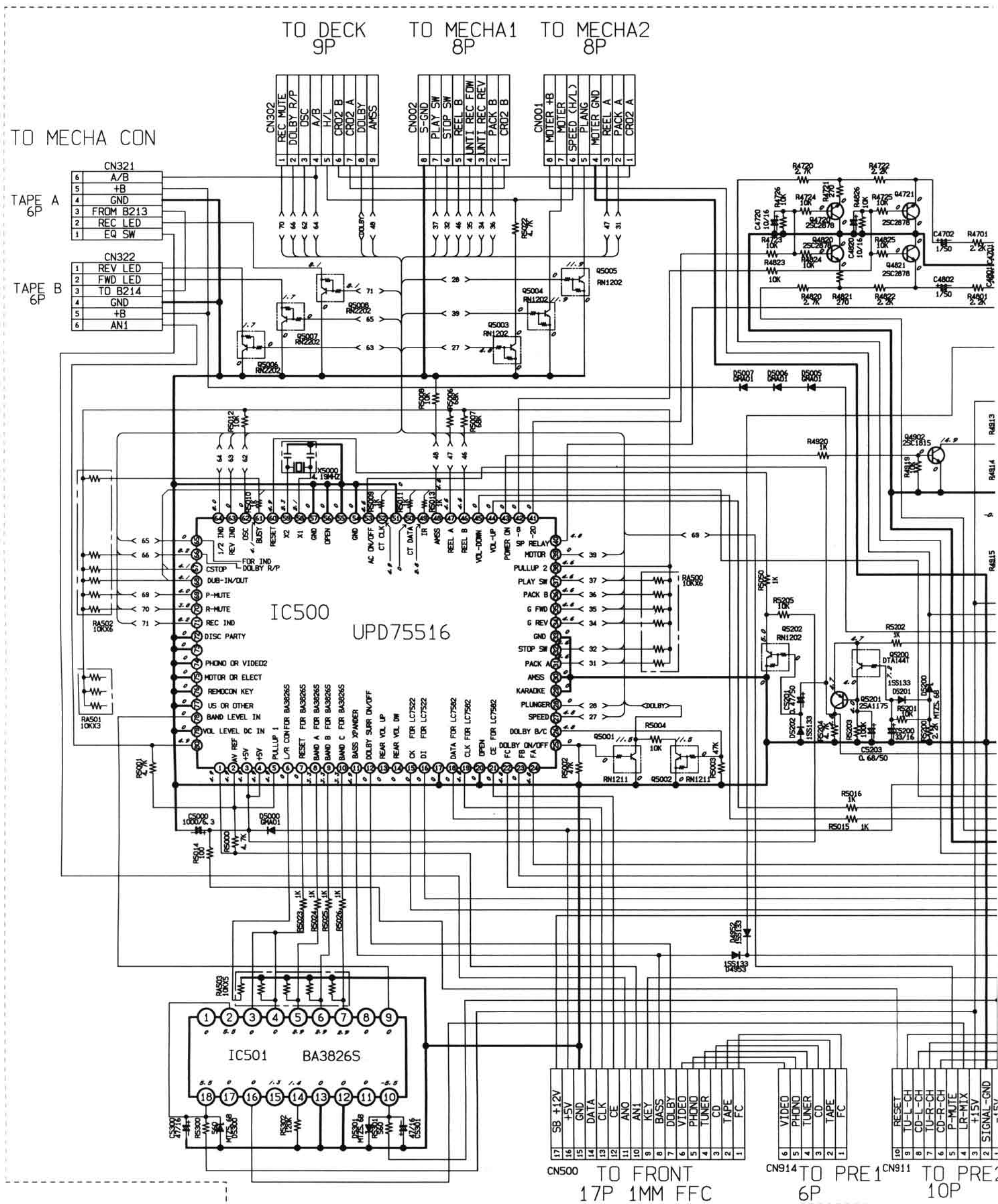
CN412

8	DØBASS
7	LOUT
6	MAIN GND
5	ROUT
4	FA
3	FB
2	FC
1	SB

CN413

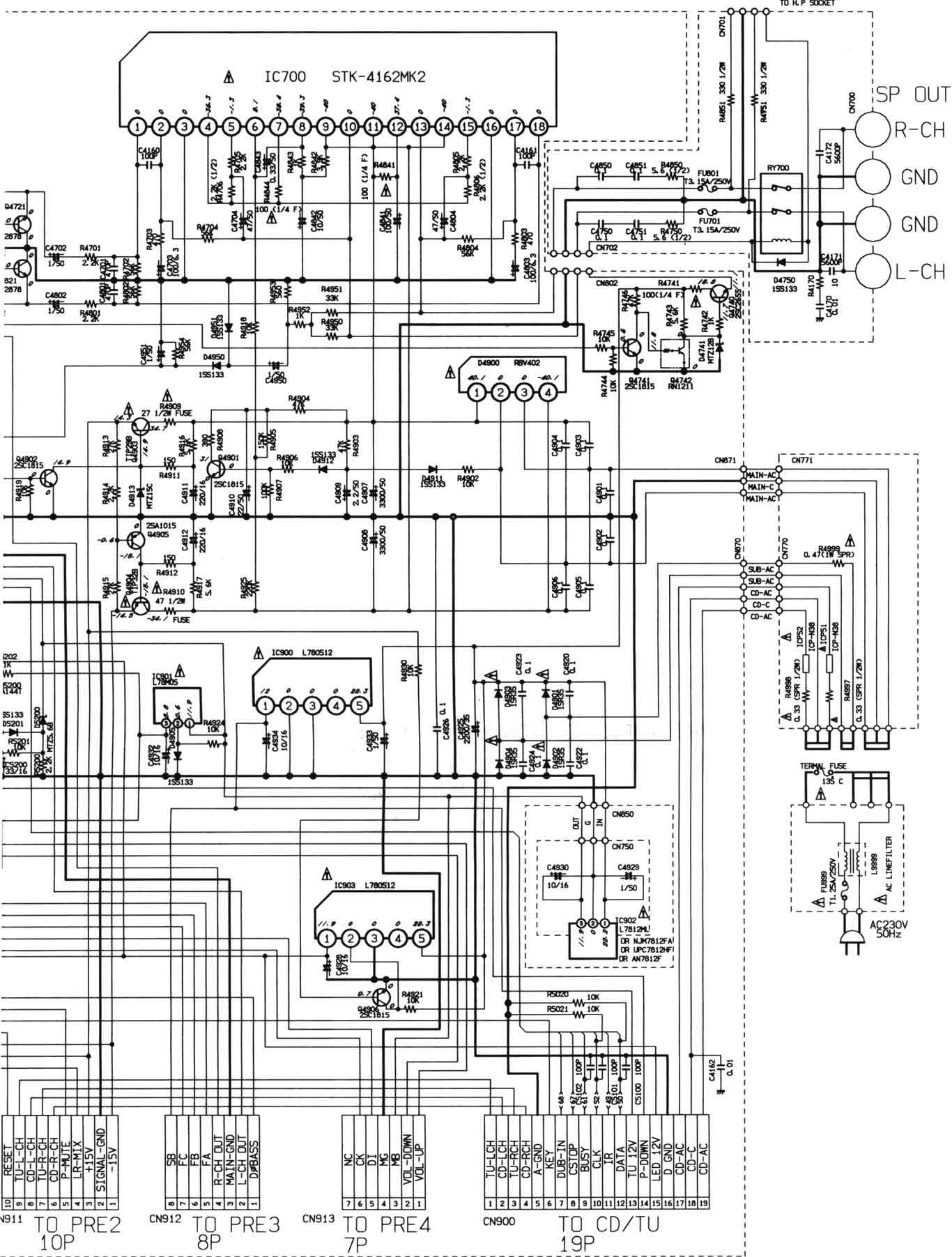
7	VOL-UP
6	VOL-DOWN
5	MB +12V
4	MG
3	DI
2	CLK
1	DC OUT

SCHEMATIC DIAGRAM (SYSCON & POWER AMPLIFIER)

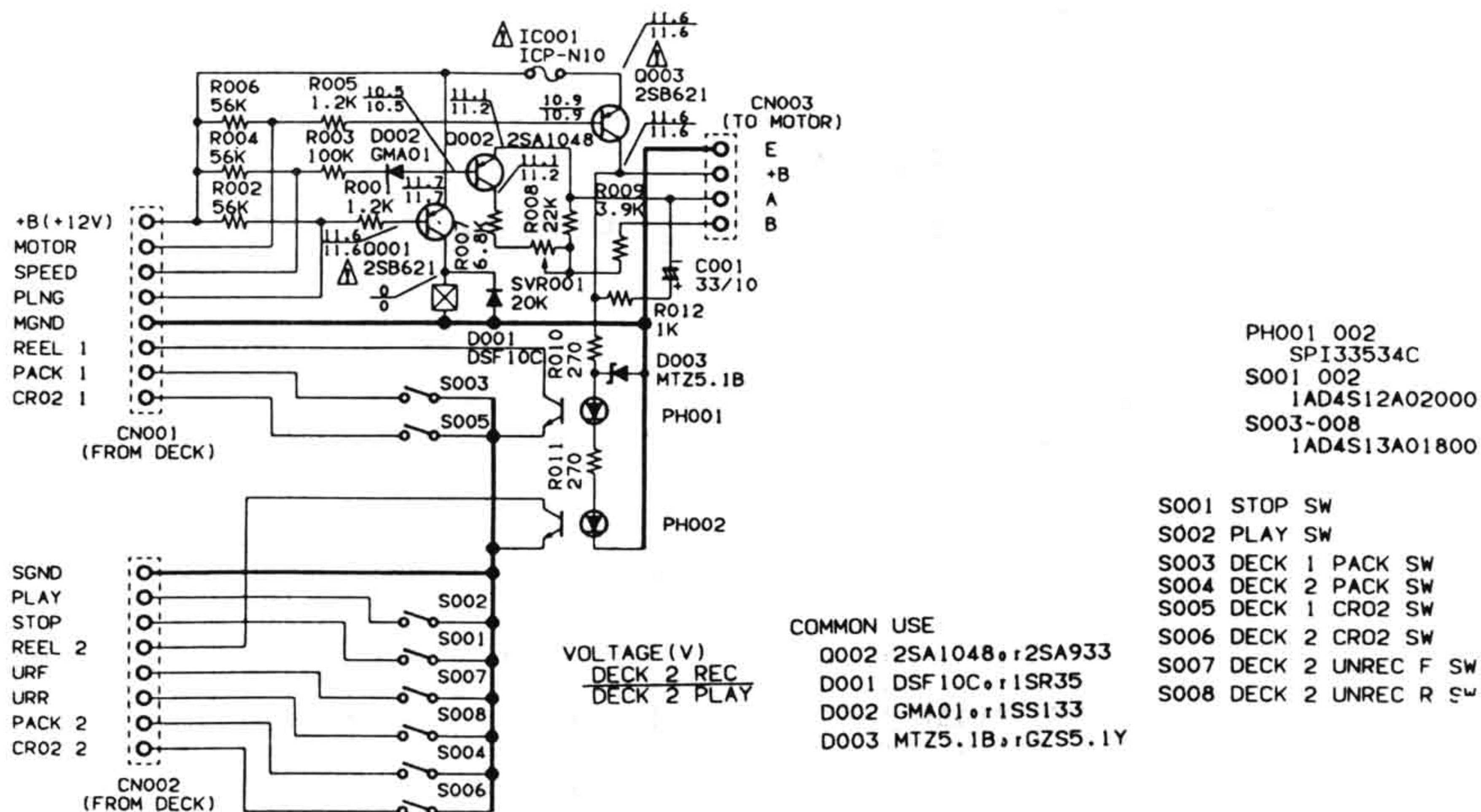


TO FRONT PCB

TO H.P. SOCKET



SCHEMATIC DIAGRAM (TAPE MECHANISM)



SANYO FISHER Vertriebs GmbH

Stahlgruberring 4
8000 München 82

Tel : 089/420 45-0
Tlx : 524033

Technisches Labor/
Qualitätskontrolle

Durchwahl -122/121

Service-Zentrale

Color TV	-166
Hi-Fi/Audio	-168
Video	-172
Autoradio	-170
Ersatzteillager	-155/156/160/164
Techn. Schulung	-174

Unser FISHER-Team steht Ihnen jederzeit gerne zur Verfügung. Ersatzteilbestellungen wickeln Sie bitte ausschließlich mit unserer Service-Zentrale München ab.

Senden Sie uns im Garantiefall Ihren Kaufbeleg ein. Bei unverkauften Lagergeräten des Fachhandels gilt als Garantienachweis eine eidesstattliche Versicherung mit eingetragener Modellbezeichnung und Geräte-Nummer oder ein Liefernachweis. Die gleiche Regelung besteht auch für Reparaturaufträge.

Bitte geben Sie unbedingt die Ersatzteil-Nummer und die Modellbezeichnung an.

Sie sparen so wertvolle Zeit. Vielen Dank.